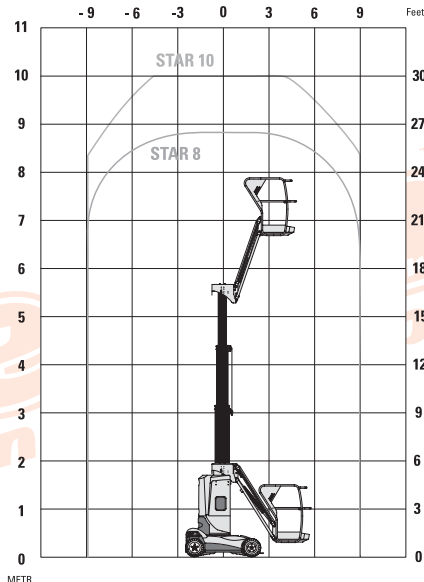




# M26E - 26' (8.00M)

**MAN LIFT** HAULOTTE STAR10

SPECIFICATION	IMPERIAL	METRIC
Working Height maximum	32ft	10.00m
Platform Height maximum	26ft	8.00m
Platform Size	28" x 39"	0.70m x 0.99m
Extension Deck (Roll-out)	NOT FITTED THIS MODEL	
Machine Height - stowed	78"	1.99m
Machine Width	39"	1.00m
Machine Length - stowed	104"	2.65m
Ground Clearance (stowed)	4"	0.10m
Max. Platform Occupancy - indoor	2 PERSONS	
- outdoor	2 PERSONS	
Wind Speed Rating Use	INDOOR & OUTDOOR USE	
Gradeability - stowed	23%	
Lift Capacity	440lbs	200kgs
Lift Capacity - Roll-out Extension Deck		
Maximum Drive Height	FULL HEIGHT	
Drive Height (deck extended)		
Tyres	SOLID RUBBER NON-MARKING	
Machine Weight (approx.)	5908lbs	2680kgs
Power Source	BATTERY POWERED	
Operators Licence	EWPA YELLOW CARD	



## Attachments

Panel Lifter	ref:	N/A
Pipe Racks	ref:	N/A
Electrical Ladder Rack	ref:	N/A
Tool Trays	ref:	PSC-11

*Machine specifications are approximates & subject to change by the manufacturer without notice.*