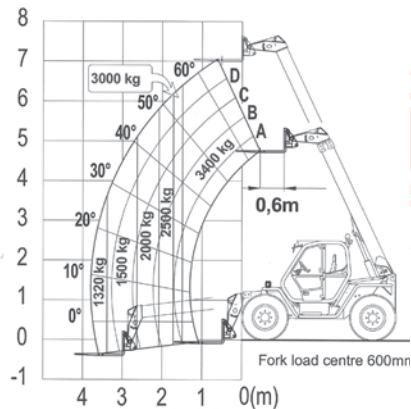


SPECIFICATION	IMPERIAL	METRIC
Lifting Height Maximum	22.6ft	6.90m
Lifting Capacity Maximum	7496lbs	3400kgs
Lift Capacity (At Maximum Height)	7496lbs	3400kgs
Lift Capacity (At Maximum Reach)	2646lbs	1200kgs
Forward Reach Max.	136"	3.45m
Forward Reach (At Maximum Height)		
Lift Height (At Maximum Capacity)	185"	4.70m
Forward Reach (At Maximum Capacity)	47"	1.20m
Machine Height	97.6"	2.48m
Machine Width	88"	2.23m
Machine Width (With Stabilisers)		
Machine Length [Overall Fork Holder Plates]	164.5"	4.18m
Machine Length [Overall Forks On]	212"	5.38m
Ground Clearance [stowed]	22"	0.56m
Air Conditioning	FITTED ALL UNITS	
Drive	FOUR WHEEL 4x4	
Steer	FRONT WHEEL/CRAB/FOUR WHEEL	
Load Management System	FITTED ALL UNITS	
Power Source	DIESEL ENGINE	
Fuel Tank	39.6 GALLONS	150 LITRES
Machine Weight "DRY" (approx.)	14881lbs	6750kgs
Operators Licence	REFER TO STATE REQUIREMENTS	



# T34.7 - 3.4T/7.00M

## TELEHANDLER MERLO P34.7



**Attachments available, please contact our office.**

*Machine specifications are approximates & subject to change by the manufacturer without notice.*