

**GTH™-4514**

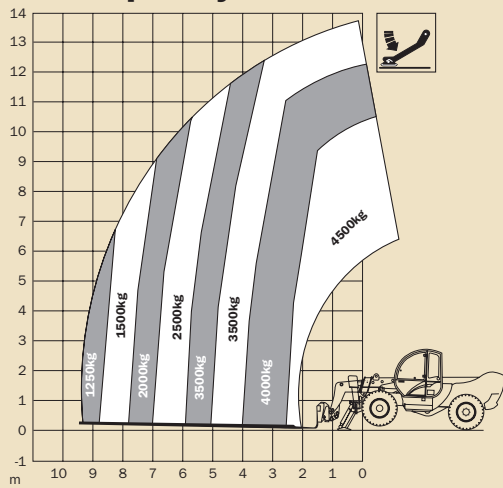
**Rough Terrain  
Telescopic Boom  
Material Handler**

For all your rough  
terrain material  
handling needs.



**Genie Australia**  
GENIE MEANS MORE THAN LIFTING

## Lift Capacity Chart



### Standard Features

- 4,500 kg (9,920lbs) lift capacity (max.)
- 13.7 m (44ft 9in) lifting height (max.)
- 9.3 m (30ft 5in) forward reach (max.)
- 360° visibility over the lowered boom
- Four-wheel drive
- Three steering modes: front wheel steer, crab steer and coordinated steer
- Oscillating rear axle with axle lock out
- Front hydraulic outriggers
- Chassis levelling on front axle (+or-8°)
- Limited slip differential
- Closed loop hydrostatic drive for smooth and precise positioning
- Multi function – electroproportional joystick
- Brakes: multi-disc, oil immersed, self adjusting
- Power assisted steering
- Easy access to components for maintenance
- Floating forks
- Attachment holder plate with mechanical coupling
- Adjustable steering wheel
- Fully adjustable seat
- Lockable fuel tank
- Quick coupling of tools from cab
- Windshield protection grid

### Options and Accessories

- Air conditioning
- Spare wheel
- Loading shovel 800 litres
- 4 in 1 bucket 900 litres
- Forks side shift class 3 +/-100mm (3000 kg max)
- Jib 4 m/900 kg
- Adjustable spotlights
- Tyres and rims (405/70-24)
- Fixed hook on plate (max 3000 kg)

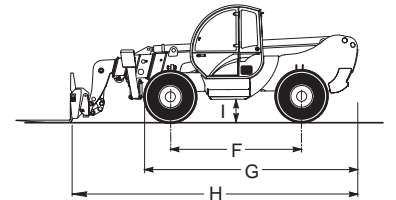
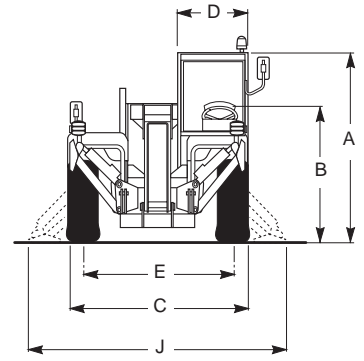
### Safety System

- Longitudinal stability control system with: visual display with coloured LEDs, audible alarm, automatic lockout of boom extension and lowering.
- Lockout of stabilisers and chassis levelling with boom raised.
- Protection against accidental manoeuvres.

### Standard Compliance

- Operating cab conforms to EEC directives 86/295 (ROPS) and 86/296 (FOPS)

(A)	Height: 2.565 m
(B)	Height at steering wheel: 1.920 m
(C)	Width: 2.335 m
(D)	Inside cab width: .910 m
(E)	Track: 1.980 m
(F)	Wheelbase: 2.850 m
(G)	Length at front wheels: 4.520 m
(H)	Length at fork-holder plate: 5.995 m
(I)	Ground clearance: .460 m
(J)	Overall width stabilisers extended: 2.93 m



## Specifications

	Metric	Imperial
Lift capacity (max.)	4,500 kg	9,920 lbs
Lift capacity at max. height	3,500 kg	7,716 lbs
Lift capacity at max. reach	1,250 kg	2,755 lbs
Fork holder plate rotation	145°	145°
Lifting speed	17 sec	17 sec
Lowering speed	16 sec	16 sec
Boom extension speed	25 sec	25 sec
Boom retraction speed	19 sec	19 sec
Inside turning radius	1.30	4 ft 6 in
Outside turning radius	3.99m	13 ft 1 in
Break-out force with 800l shovel SAE J732/80	7,400 kg	16,314 lbs
Towing capacity at dynamometer	8,300 kg	18,298 lbs
Obstruction angle	39°	39°
Departure angle	27°	27°
Engine Type	Perkins turbo Diesel, direct injection, low emissions. Water cooled, 4 cylinders Power 74.4 kw (101 Hp)	
Maximum travel speed	35 km/h	22 mph
Gradeability (Unloaded)	40%	40%
(Full load)	25%	25%
Tank capacities		
Fuel	135 lt	29.7 gal
Engine oil	11.5 lt	2.5 gal
Coolant	15 lt	3.3 gal
Hydraulic oil	150 lt	33 gal
Forks: Floating forks	length 1200mm	3ft 9 in
Section	150 x 50mm	5.9 in x 2in
Tyres	Type 400/70-20 8-hole rim (DIN 70361)	
Weight	11,400 kg	25,132 lbs

## Genie Industries

### GENIE AUSTRALIA

591 Boundary Road, Darra Qld 4076  
PO Box 394, Richlands Qld 4077  
Telephone **07 3375 1660**  
Toll Free in Australia **1800 331 660**  
Fax 07 3375 1002  
<http://www.genieindustries.com>

### GENIE UNITED STATES

18340 NE 76th Street  
PO. Box 97030  
Redmond, Washington 98073-9730  
Telephone **(425) 881-1800**  
Toll Free in USA/Canada **800-536-1800**  
Fax (425) 883-3475  
<http://www.genieindustries.com>